

PLEASE CHECK WWW.MOLEX.COM FOR LATEST PART INFORMATION

Part Number: [0473621011](#)
Status: **Active**
Overview: serial ata 127 host receptacles
Description: 1.27mm (.050") Pitch Combo SATA Cable Connector, Straight Type, with Arris on top surface, with bumps, 0.76µm (30µ") Gold(Au) Plating, 22 Circuits, LeadFree

Documents:

[3D Model](#) [Product Specification PS-47362-001 \(PDF\)](#)
[Drawing \(PDF\)](#) [RoHS Certificate of Compliance \(PDF\)](#)

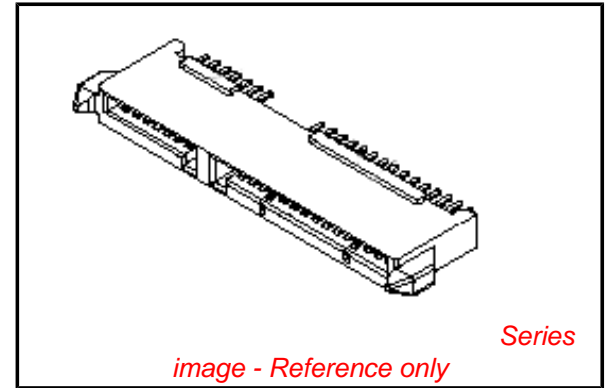
General

Product Family	I/O Connectors
Series	47362
Application	Wire-to-Board
Comments	Straight Type
Component Type	Receptacle
Overview	serial ata 127 host receptacles
Product Name	Serial ATA
Type	N/A

Physical

Boot Color	N/A
Circuits (Loaded)	22
Circuits (maximum)	22
Circuits Detail	Signal 7, Power 15
Color - Resin	Black
Durability (mating cycles max)	50
Gender	Receptacle
Keying to Mating Part	Yes
Lock to Mating Part	Yes
Material - Metal	Copper Alloy
Material - Plating Mating	Gold
Material - Plating Termination	Tin
Number of Rows	1
Orientation	Straight
PCB Locator	No
PCB Retention	None
Packaging Type	Tray
Panel Mount	No
Pitch - Mating Interface (in)	0.050 In
Pitch - Mating Interface (mm)	1.27 mm
Pitch - Term. Interface (in)	0.050 In
Pitch - Term. Interface (mm)	1.27 mm
Plating min: Mating (µin)	30
Plating min: Mating (µm)	0.76
Plating min: Termination (µin)	50
Plating min: Termination (µm)	1.27
Polarized to Mating Part	Yes
Polarized to PCB	Yes
Ports	2
Temperature Range - Operating	-35°C to +85°C
Termination Interface: Style	Solder or Weld
Waterproof / Dustproof	No
Wire Size AWG	N/A

Electrical



EU RoHS

**ELV and RoHS
Compliant**
**REACH SVHC
Not Reviewed**
**Halogen-Free
Status
Not Reviewed**

China RoHS



**Need more information on product
environmental compliance?**

Email productcompliance@molex.com
 For a multiple part number RoHS Certificate of Compliance, [click here](#)

Please visit the [Contact Us](#) section for any non-product compliance questions.

Search Parts in this Series
[47362Series](#)

Current - Maximum per Contact	1.5A
Voltage - Maximum	15V DC

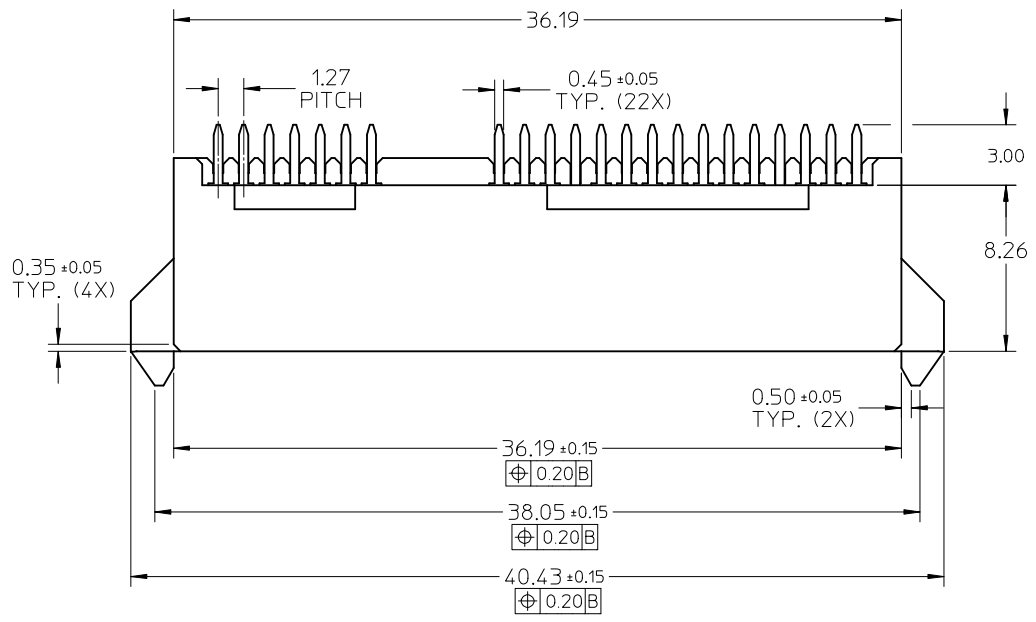
Material Info

Reference - Drawing Numbers

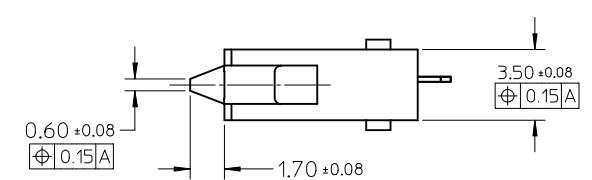
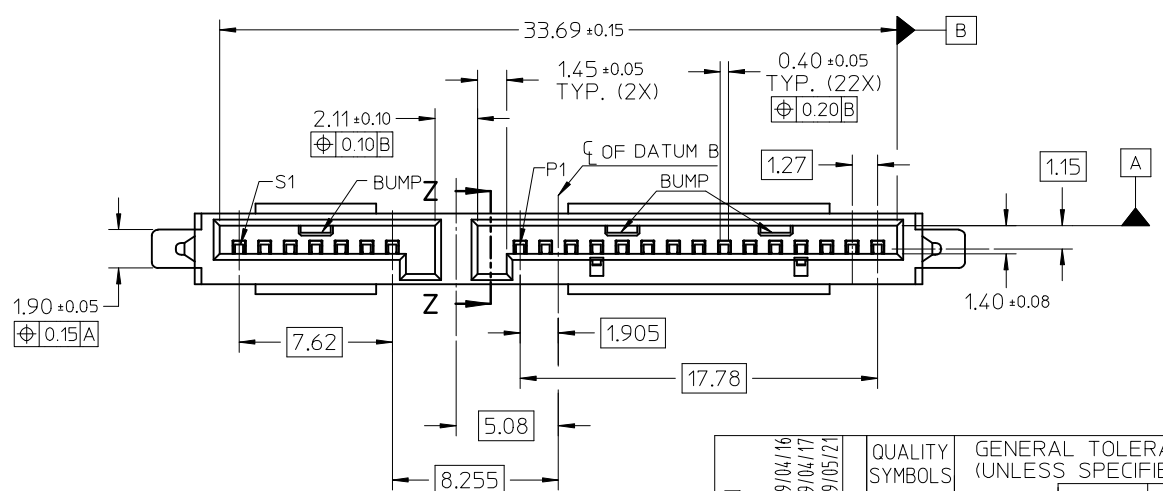
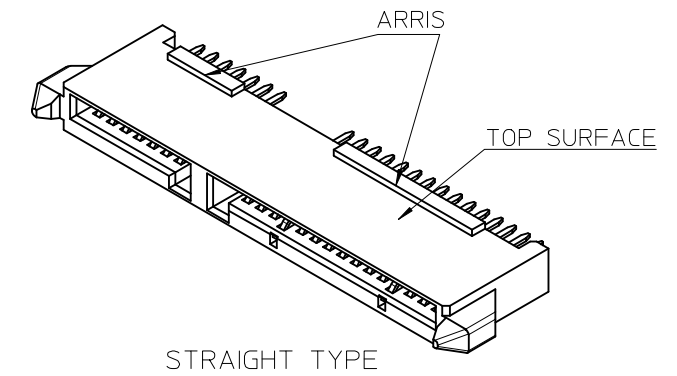
Packaging Specification	PK-47362-001
Product Specification	PS-47362-001
Sales Drawing	SD-47362-100

This document was generated on 05/19/2010

PLEASE CHECK WWW.MOLEX.COM FOR LATEST PART INFORMATION

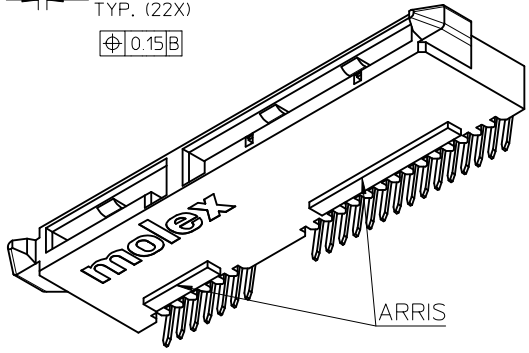
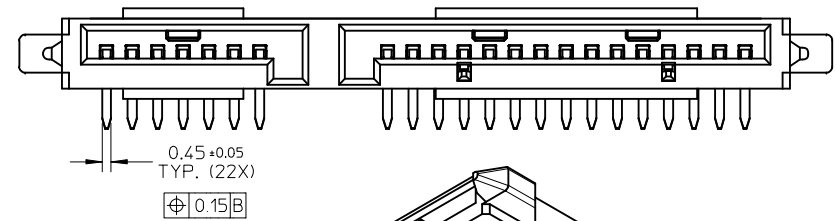
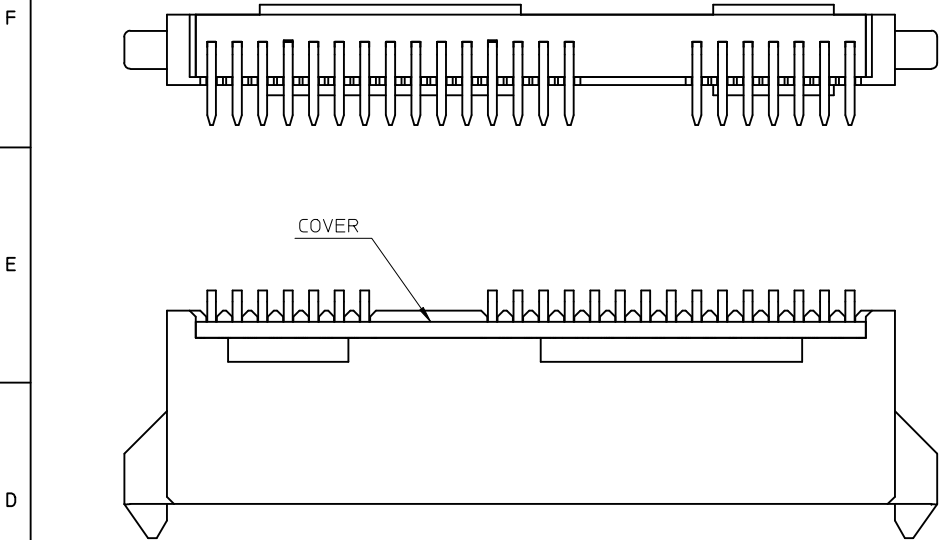


- NOTES:
- MATERIAL:
 - HOUSING: THERMAL PLASTIC, GLASS FILLED, UL94V-0, COLOR: BLACK.
 - TERMINAL: COPPER ALLOY, THICKNESS=0.25MM.
 - TERMINAL PLATING:
 - CONTACT AREA: GOLD PLATED, SEE TABLE.
 - SOLDER AREA: PURE TIN, THICKNESS=1.27 MICRONS MINIMUM.
 - UNDER PLATE: NICKLE, THICKNESS=1.27 MICRONS MINIMUM.
 - PRODUCT SPECIFICATION: REFER TO PS-47362-001.
 - PACKAGING METHOD: REFER TO PK-47362-001.
 - PRODUCT COMPLIANT TO RoHS DIRECTIVE 2002/95/EC AND ELV DIRECTIVE 2000/53/EC

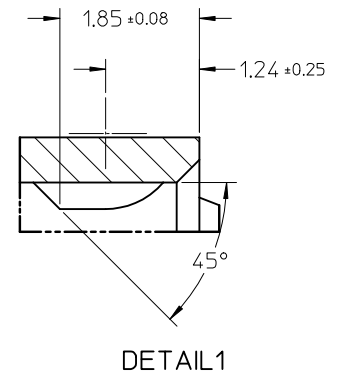
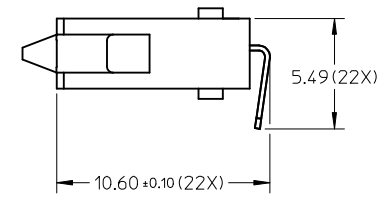
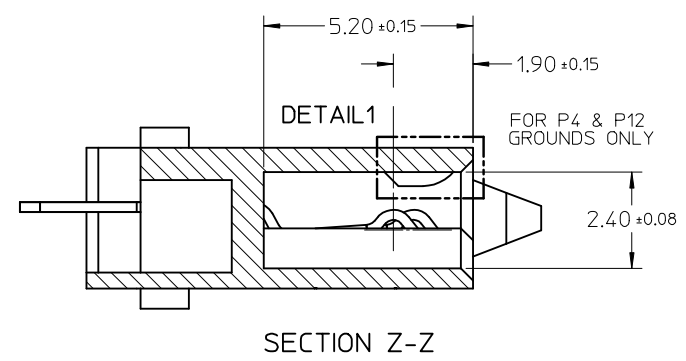


ADD NEW OPTION EC NO: SH2009-0500 DRWN: XJSONG 2009/04/16 CHKD: XJSONG 2009/04/17 APPR: HWANG 2009/05/21 REV DESCRIPTION	QUALITY SYMBOLS	GENERAL TOLERANCES (UNLESS SPECIFIED)	DIMENSION STYLE	SCALE	DESIGN UNITS	THIRD ANGLE PROJECTION	
	▽=0 ▽=0	mm INCH 4 PLACES ± --- ± --- 3 PLACES ± --- ± --- 2 PLACES ± 0.2 ± --- 1 PLACE ± 0.25 ± --- ANGULAR ± 3 °	MM ONLY	4:1	METRIC		
		DRAFT WHERE APPLICABLE MUST REMAIN WITHIN DIMENSIONS	DRAWN BY DATE	TITLE	COMBO SATA RECEPTACLE CABLE END		
			CHECKED BY DATE	MOLEX INCORPORATED			
		APPROVED BY DATE	SD-47362-100				
			SEE SHEET 4				
			THIS DRAWING CONTAINS INFORMATION THAT IS PROPRIETARY TO MOLEX INCORPORATED AND SHOULD NOT BE USED WITHOUT WRITTEN PERMISSION				

10 9 8 7 6 5 4 3 2 1



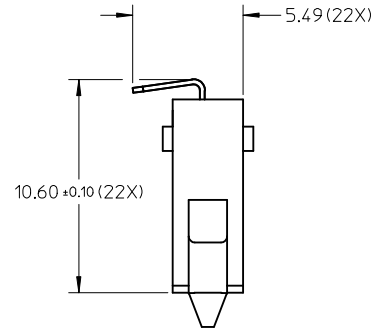
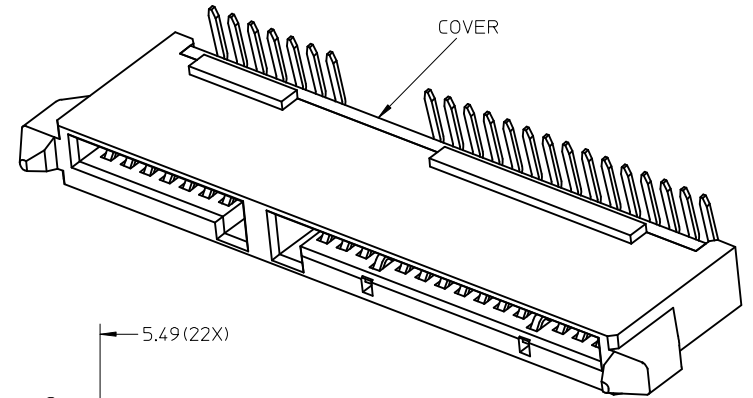
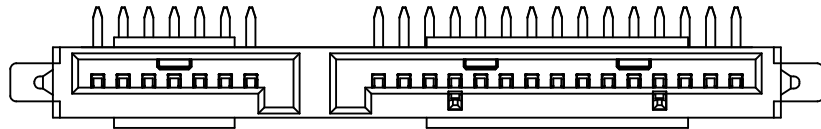
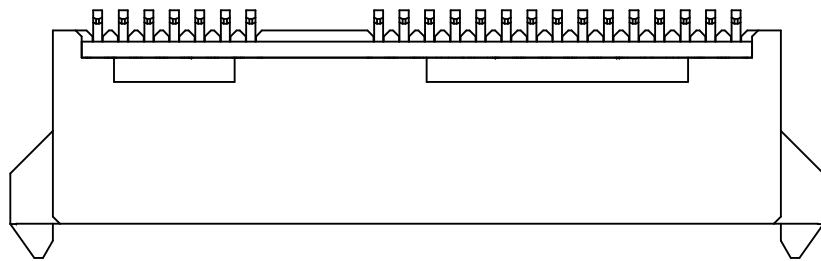
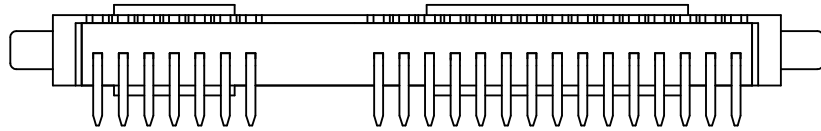
RIGHT ANGLE(90 DEGREE) TYPE
OTHER DIMENSIONS REFER TO STRAIGHT TYPE



SEE SHEET 1 IEC NO: SH2009-0500 DRWN: XJ.SONG 2009/04/16 CHKD: XJ.SONG 2009/04/17 APPR: H.WANG 2009/05/21	QUALITY SYMBOLS ▽=0 ◻=0	GENERAL TOLERANCES (UNLESS SPECIFIED)		DIMENSION STYLE MM ONLY		SCALE 4:1	DESIGN UNITS METRIC	THIRD ANGLE PROJECTION	
		4 PLACES ± --- ± --- 3 PLACES ± --- ± --- 2 PLACES ± 0.2 ± --- 1 PLACE ± 0.25 ± ---	mm INCH ± --- ± --- ± 0.2 ± --- ± 0.25 ± ---	DRAWN BY BCHEN26	DATE 2005/12/05	TITLE COMBO SATA RECEPTACLE CABLE END			
		ANGULAR ± 3 °		CHECKED BY DIXON	DATE 2005/12/05	MOLEX INCORPORATED			
		DRAFT WHERE APPLICABLE MUST REMAIN WITHIN DIMENSIONS		APPROVED BY GRATE	DATE 2005/12/05	MATERIAL NO. SEE SHEET 4	DOCUMENT NO. SD-47362-100	SHEET NO. 2 OF 4	
THIS DRAWING CONTAINS INFORMATION THAT IS PROPRIETARY TO MOLEX INCORPORATED AND SHOULD NOT BE USED WITHOUT WRITTEN PERMISSION									

9 8 7 6 5 4 3 2 1

10 9 8 7 6 5 4 3 2 1



RIGHT ANGLE(270 DEGREE) TYPE
OTHER DIMENSIONS REFER TO RIGHT ANGLE(90 DEGREE) TYPE

SEE SHEET 1 EC NO: SH2009-0500 DRWN: XJ SONG 2009/04/16 CHKD: XJ SONG 2009/04/17 APPR: H WANG 2009/05/21	QUALITY SYMBOLS ▽ = 0 ▽ = 0	GENERAL TOLERANCES (UNLESS SPECIFIED)		DIMENSION STYLE MM ONLY		SCALE 4:1	DESIGN UNITS METRIC	THIRD ANGLE PROJECTION	
			mm	INCH	DRAWN BY BCHEN26	DATE 2005/12/05	TITLE COMBO SATA RECEPTACLE CABLE END		
		4 PLACES	± ---	± ---	CHECKED BY DIXON	DATE 2005/12/05	MOLEX INCORPORATED		
		3 PLACES	± ---	± ---	APPROVED BY GRATE	DATE 2005/12/05	DOCUMENT NO. SD-47362-100	SHEET NO. 3 OF 4	
	2 PLACES	± 0.2	± ---	MATERIAL NO. SEE SHEET 4		THIS DRAWING CONTAINS INFORMATION THAT IS PROPRIETARY TO MOLEX INCORPORATED AND SHOULD NOT BE USED WITHOUT WRITTEN PERMISSION			
	1 PLACE	± 0.25	± ---	ANGULAR ± 3 °					
DRAFT WHERE APPLICABLE MUST REMAIN WITHIN DIMENSIONS									

9 8 7 6 5 4 3 2 1

10	9	8	7	6	5	4	3	2	1
P/N	PLATE TYPE	REMARK	STRAIGHT OR R/A	P/N	PLATE TYPE	REMARK	STRAIGHT OR R/A		
47362-1000	GOLD FLASH			47362-3000	GOLD FLASH				
47362-1001	GOLD PLATED 0.76 MICRONS MIN.	WITH ARRIS ON BOTH SURFACE	STRAIGHT TYPE	47362-3001	GOLD PLATED 0.76 MICRONS MIN.	WITH ARRIS ON BOTH SURFACE	RIGHT ANGLE TYPE (270 DEGREE)		
47362-1002	GOLD PLATED 0.38 MICRONS MIN.	WITH BUMPS		47362-3002	GOLD PLATED 0.38 MICRONS MIN.	WITH BUMPS,WITH COVER			
47362-1010	GOLD FLASH			47362-3010	GOLD FLASH				
47362-1011	GOLD PLATED 0.76 MICRONS MIN.	WITH ARRIS ON TOP SURFACE		47362-3011	GOLD PLATED 0.76 MICRONS MIN.	WITH ARRIS ON TOP SURFACE			
47362-1012	GOLD PLATED 0.38 MICRONS MIN.	WITH BUMPS		47362-3012	GOLD PLATED 0.38 MICRONS MIN.	WITH BUMPS,WITH COVER			
47362-1020	GOLD FLASH			47362-3020	GOLD FLASH				
47362-1021	GOLD PLATED 0.76 MICRONS MIN.	WITH ARRIS ON BOTTOM SURFACE		47362-3021	GOLD PLATED 0.76 MICRONS MIN.	WITH ARRIS ON BOTTOM SURFACE			
47362-1022	GOLD PLATED 0.38 MICRONS MIN.	WITH BUMPS		47362-3022	GOLD PLATED 0.38 MICRONS MIN.	WITH BUMPS,WITH COVER			
47362-1030	GOLD FLASH			47362-3030	GOLD FLASH				
47362-1031	GOLD PLATED 0.76 MICRONS MIN.	WITHOUT ARRIS		47362-3031	GOLD PLATED 0.76 MICRONS MIN.	WITHOUT ARRIS			
47362-1032	GOLD PLATED 0.38 MICRONS MIN.	WITH BUMPS	47362-3032	GOLD PLATED 0.38 MICRONS MIN.	WITH BUMPS,WITH COVER				
47362-2000	GOLD FLASH		RIGHT ANGLE TYPE (90 DEGREE)						
47362-2001	GOLD PLATED 0.76 MICRONS MIN.	WITH ARRIS ON BOTH SURFACE							
47362-2002	GOLD PLATED 0.38 MICRONS MIN.	WITH BUMPS,WITH COVER							
47362-2010	GOLD FLASH								
47362-2011	GOLD PLATED 0.76 MICRONS MIN.	WITH ARRIS ON TOP SURFACE							
47362-2012	GOLD PLATED 0.38 MICRONS MIN.	WITH BUMPS,WITH COVER							
47362-2020	GOLD FLASH								
47362-2021	GOLD PLATED 0.76 MICRONS MIN.	WITH ARRIS ON BOTTOM SURFACE							
47362-2022	GOLD PLATED 0.38 MICRONS MIN.	WITH BUMPS,WITH COVER							
47362-2030	GOLD FLASH								
47362-2031	GOLD PLATED 0.76 MICRONS MIN.	WITHOUT ARRIS							
47362-2032	GOLD PLATED 0.38 MICRONS MIN.	WITH BUMPS,WITH COVER							
47362-1003	GOLD PLATED 0.38 MICRONS MIN.	WITH ARRIS ON BOTH SURFACE	STRAIGHT TYPE						
47362-1082	GOLD PLATED 0.38 MICRONS MIN.	WITH ARRIS ON BOTH SURFACE	STRAIGHT TYPE						

--	--	--	--	--	--	--	--	--	--

SEE SHEET1 EC NO: SH2009-0500 DRWN: X JSONG CHKD: X JSONG APPR: H WANG	2009/04/16 2009/04/17 2009/05/21	DESCRIPTION REV	QUALITY SYMBOLS	GENERAL TOLERANCES (UNLESS SPECIFIED)	DIMENSION STYLE	SCALE	DESIGN UNITS	THIRD ANGLE PROJECTION																
			$\nabla=0$ $\sphericalangle=0$	<table border="1"> <tr> <th></th> <th>mm</th> <th>INCH</th> </tr> <tr> <td>4 PLACES</td> <td>± ---</td> <td>± ---</td> </tr> <tr> <td>3 PLACES</td> <td>± ---</td> <td>± ---</td> </tr> <tr> <td>2 PLACES</td> <td>± 0.2</td> <td>± ---</td> </tr> <tr> <td>1 PLACE</td> <td>± 0.25</td> <td>± ---</td> </tr> </table>		mm	INCH	4 PLACES	± ---	± ---	3 PLACES	± ---	± ---	2 PLACES	± 0.2	± ---	1 PLACE	± 0.25	± ---	MM ONLY	4:1	METRIC		
				mm	INCH																			
			4 PLACES	± ---	± ---																			
3 PLACES	± ---	± ---																						
2 PLACES	± 0.2	± ---																						
1 PLACE	± 0.25	± ---																						
	ANGULAR ± 3 °	<table border="1"> <tr> <td>DRAWN BY</td> <td>DATE</td> <td rowspan="2">TITLE</td> </tr> <tr> <td>BCHEN26</td> <td>2005/12/05</td> </tr> <tr> <td>CHECKED BY</td> <td>DATE</td> <td rowspan="2">COMBO SATA RECEPTACLE CABLE END</td> </tr> <tr> <td>DIXON</td> <td>2005/12/05</td> </tr> <tr> <td>APPROVED BY</td> <td>DATE</td> <td rowspan="2">MOLEX INCORPORATED</td> </tr> <tr> <td>GRATE</td> <td>2005/12/05</td> </tr> </table>	DRAWN BY	DATE	TITLE	BCHEN26	2005/12/05	CHECKED BY	DATE	COMBO SATA RECEPTACLE CABLE END	DIXON	2005/12/05	APPROVED BY	DATE	MOLEX INCORPORATED	GRATE	2005/12/05	<table border="1"> <tr> <td>MATERIAL NO.</td> <td>DOCUMENT NO.</td> <td>SHEET NO.</td> </tr> <tr> <td>SEE TABLE</td> <td>SD-47362-100</td> <td>4 OF 4</td> </tr> </table>	MATERIAL NO.	DOCUMENT NO.	SHEET NO.	SEE TABLE	SD-47362-100	4 OF 4
DRAWN BY	DATE	TITLE																						
BCHEN26	2005/12/05																							
CHECKED BY	DATE	COMBO SATA RECEPTACLE CABLE END																						
DIXON	2005/12/05																							
APPROVED BY	DATE	MOLEX INCORPORATED																						
GRATE	2005/12/05																							
MATERIAL NO.	DOCUMENT NO.	SHEET NO.																						
SEE TABLE	SD-47362-100	4 OF 4																						
	DRAFT WHERE APPLICABLE MUST REMAIN WITHIN DIMENSIONS	<table border="1"> <tr> <td>SIZE</td> <td colspan="2">THIS DRAWING CONTAINS INFORMATION THAT IS PROPRIETARY TO MOLEX INCORPORATED AND SHOULD NOT BE USED WITHOUT WRITTEN PERMISSION</td> </tr> <tr> <td>A3</td> <td colspan="2"></td> </tr> </table>	SIZE	THIS DRAWING CONTAINS INFORMATION THAT IS PROPRIETARY TO MOLEX INCORPORATED AND SHOULD NOT BE USED WITHOUT WRITTEN PERMISSION		A3																		
SIZE	THIS DRAWING CONTAINS INFORMATION THAT IS PROPRIETARY TO MOLEX INCORPORATED AND SHOULD NOT BE USED WITHOUT WRITTEN PERMISSION																							
A3																								